

Micro-Channel Water Cooled Vertical Stack (CW)

VS300 Series



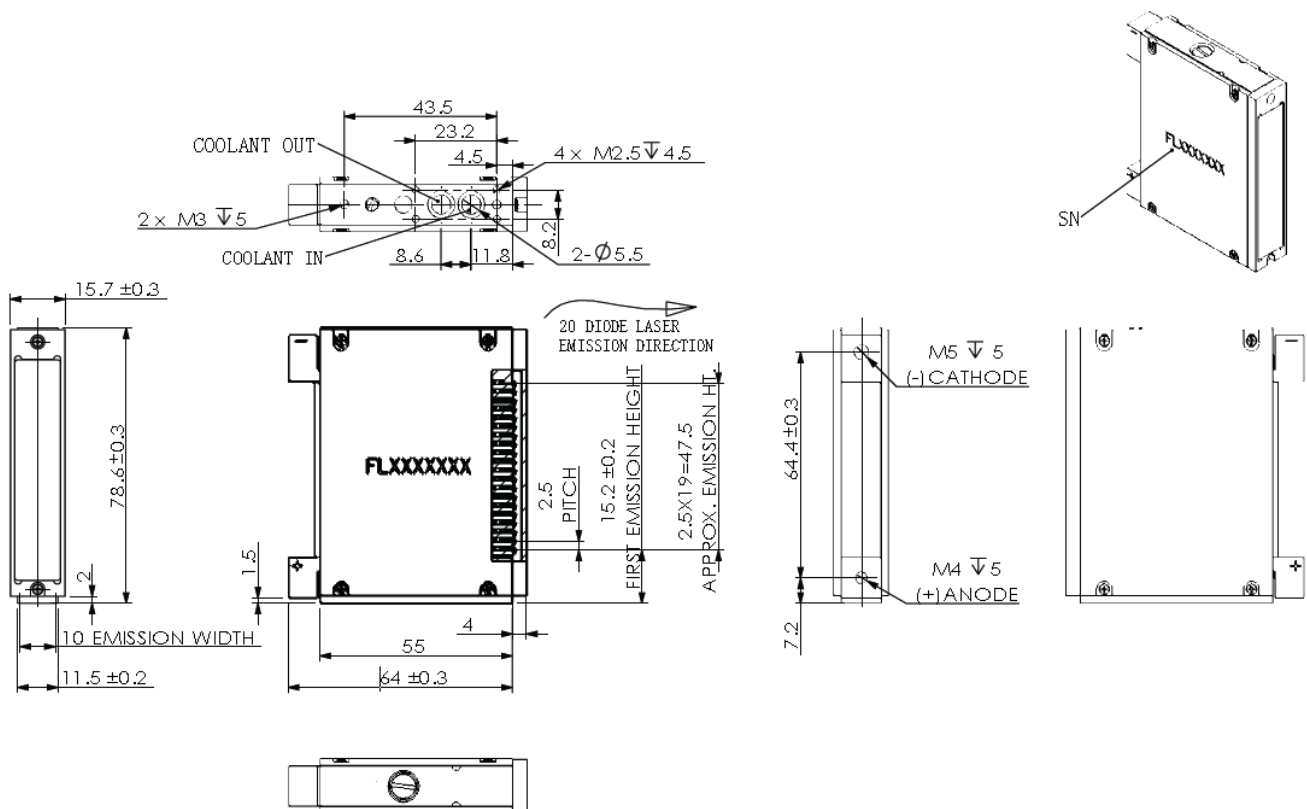
Features

- Long lifetime
- Low smile
- High power
- Fast-axis collimation

Applications

- Pumping
- Industry
- Scientific research

Product Dimensions (mm)



Remark: The structure drawing is for reference only(20Bars). Please feel free to contact us for any special requirements.

Product Specifications

Product Code	(Typical Customization)
Part No. ^{1,3}	FL-VS300-9X1-1800-940-Y

General Data	Unit	Value
Operation Mode	-	CW
Bar Pitch	mm	2.5

Optical Data ²		
Centroid Wavelength	nm	940
Wavelength Tolerance	nm	± 5
Output Power per Bar	W	200
Number of Bars ³	-	9
Spectral Width FWHM	nm	≤ 5
Spectral Width 90% Energy	nm	≤ 8
Fast Axis Divergence (FWHM)	°	< 0.5
Slow Axis Divergence (FWHM)	°	10 (typical)
Polarization Mode	-	TE
Wavelength Temp. Coefficient	nm / °C	~ 0.34

Electrical Data		
Operation Current	A	≤ 200
Threshold Current	A	≤ 35
Operating Voltage per Bar	V	≤ 2
Slope Efficiency per Bar	W / A	≥ 1.1
Power Conversion Efficiency	%	≥ 55

Thermal Data		
Operating Temperature ⁴	°C	20~30
Storage Temperature ⁵	°C	0~55

¹ Part No. = Brand Code - Series - Power - Centroid Wavelength(- Collimation).

² Data at 25°C temperature, unless otherwise stated.

³ The multiple bars as optional (2-20 bars).

⁴ Reduced lifetime if used above nominal operating conditions.

⁵ A non-condensing environment is required for storage and operation below ambient dew level.

